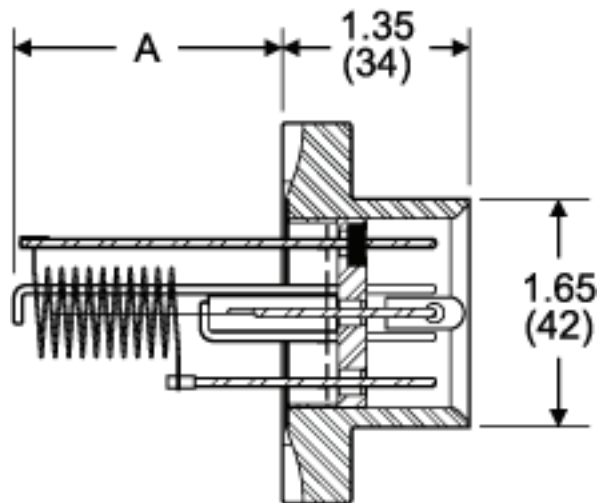


Dimensional Drawing -

Note: Unless otherwise specified, dimensions are nominal values in inches (millimeters referenced).



Type	A
NW 40 KF	1.89 (48)
2 3/4" CF	1.94 (49)